

PIR SENSOR INTERFACE

October 2002

FEATURES:

- Direct Interface with PIR Sensor
- Two-Stage Differential Amplifier
- Amplifier Gain and Bandwidth externally controlled
- True and Complementary Output Drives
- Separate digital filters for processing positive and negative input signals
- Single Pulse/Dual Pulse/ Concurrent Pulse Detection
- Adjustable Output Pulse Width
- Optional 5V Shunt Regulator Output
- 50 μ A Typical Supply Current
- Undervoltage Detection
- LS6511(DIP); LS6511-S (SOIC) - See Figure 1

APPLICATIONS:

Security system intrusion detection, automatic doors, motion triggered events such as remote animal photography.

DESCRIPTION (See Figure 5)

The LS6511 is a CMOS integrated circuit, designed for detecting motion from a PIR Sensor and initiating appropriate responses.

DIFFERENTIAL AMPLIFIER

Each stage of the two stage Differential Amplifier can be set to have its own amplification and bandwidth. The two inputs to the first stage allow for single-ended or differential connection to PIR Sensors. This stage can be biased anywhere in its dynamic range. The second stage is internally biased so that the Window Comparator's lower and higher thresholds can be fixed relative to this bias. Signal levels as low as 100 μ V can be detected.

WINDOW COMPARATOR

The Window Comparator provides noise filtering by enabling only those signals equal to or greater than a fixed threshold at the output of the Differential Amplifier to appear at the 2 outputs of the Window Comparator. One output detects positive input signals while the other output detects negative input signals.

COMPARATOR DIGITAL FILTER

The outputs of the Window Comparator are filtered so that motion must be present for a certain duration before it can be recognized and appear as pulses at the Digital Filter outputs. An external RC network sets the duration time. Nominal duration is 50ms.

MODE SELECT

A tristate input pin selects how the detected signals are processed. Single Pulse (SP) Mode is when detection from either a positive or negative input signal at the Digital Filter outputs will cause an LED/RELAY output to occur. Concurrent Pulse (CP) Mode is when detection from a positive and negative input signal must occur within a specific time before an output will occur. Dual Pulse (DP) mode is when any two detections within a specific time will cause an output to occur.
 SP Mode = 0; CP Mode = Open; DP Mode = 1.

PIN ASSIGNMENT - TOP VIEW

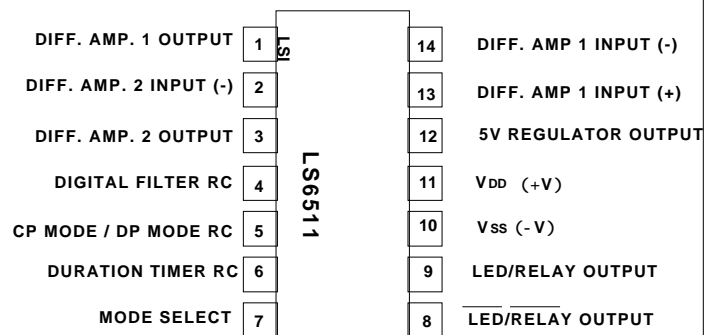


FIGURE 1

PROGRAMMABLE RETRIGGERABLE ONE-SHOTS

Positive and negative input signals at the digital filter outputs will generate retriggerable one-shot pulses. In the Concurrent Pulse Mode, outputs from each one-shot must occur together at some point in time to cause an output to occur. The one-shot pulse width is programmable using an external RC network. Typical pulse widths used vary between 1 and 12 seconds.

WINDOW TIMER

In the Dual Pulse Mode any two detections must occur within a timing window to cause an output to occur. The timing window is programmable using an external RC network. Typical windows are between 1 and 5 seconds.

OUTPUT DURATION TIMER

The duration timer is retriggerable and programmable using an external RC network. Typical duration times are between 0.5 and 15 seconds. Successive input detections will restart the timer.

OUTPUTS

The LED/RELAY Output is an open drain output that will sink current when an input signal is detected and processed and when the Power Supply drops below 3.7V (Typical) (Undervoltage Detection). The Undervoltage Detection will be removed when the Power Supply rises above 3.9V (Typical). The LED/RELAY Output performs identically but is opposite in polarity. The output can sink current from a relay coil returned to a positive voltage (VDD to 9.5V maximum).

SHUNT REGULATOR

The LS6511 includes a 5V Shunt Regulator Output which can be tied to the VDD Pin so that the circuit can be powered from a higher voltage power supply.

Note: See Figures 2, 3 and 4 for application schematics.

ABSOLUTE MAXIMUM RATINGS:

PARAMETER	SYMBOL	VALUE	UNIT
DC supply voltage	$V_{DD} - V_{SS}$	+7	V
Any input voltage	V_{IN}	$V_{SS} - 0.3$ to $V_{DD} + 0.3$	V
Operating temperature	T_A	-40 to +85	°C
Storage temperature	T_{STG}	-65 to +150	°C

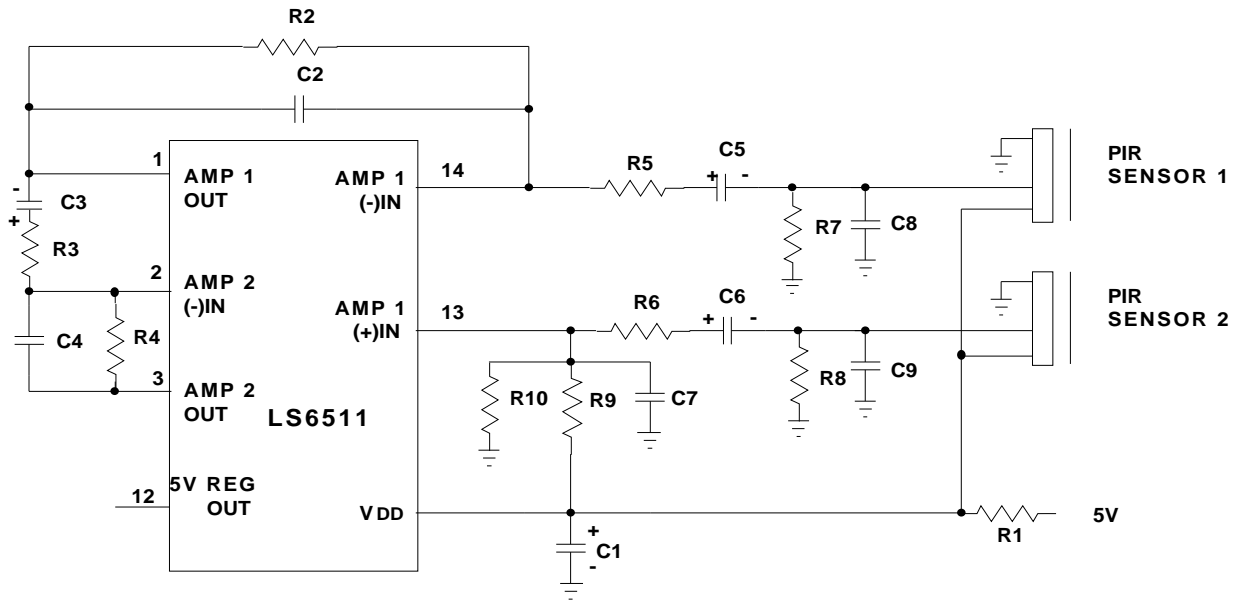
ELECTRICAL CHARACTERISTICS:

(All voltages referenced to V_{SS} , $T_A = -40^{\circ}\text{C}$ to $+55^{\circ}\text{C}$, $4.5\text{V} < V_{DD} < 6.5\text{V}$, unless otherwise specified.)

PARAMETER	SYMBOL	MIN	TYP	MAX	UNIT	CONDITIONS
SUPPLY CURRENT:						
$V_{DD} = 5\text{V}$	I_{DD}	-	50	75	μA	LED/RELAY, $\overline{\text{LED}}/\overline{\text{RELAY}}$
$V_{DD} = 4.5\text{V} - 6.5\text{V}$	I_{DD}	-	65	125	μA	and REGULATOR outputs not loaded
REGULATOR:						
Voltage	V_R	5.00	5.75	6.25	V	-
Current	I_R	-	-	10	mA	-
DIFFERENTIAL AMPLIFIERS:						
Open Loop Gain, Each Stage	G	70	-	-	dB	-
Common Mode Rejection Ratio	CMRR	60	-	-	dB	-
Power Supply Rejection Ratio	PSRR	60	-	-	dB	-
Input Sensitivity (Minimum Detectable Voltage to first amplifier when both amplifiers are cascaded for a net gain of 8,000)	V_S	100	-	-	$\mu\text{Vp-p}$	$T_A = 25^{\circ}\text{C}$, with Amplifier Bandpass configuration as shown in Figure 3
Input Dynamic Range	-	0	-	1.75	V	-
Diff. Amp 2 Internal Reference	V_{IR}	-	$0.3V_{DD}$	-	V	-
COMPARATOR:						
Lower Reference	V_{THL}	-	$V_{IR} - 0.8\text{V}$	-	V	At $V_{DD} = 5.75\text{V}$
Higher Reference	V_{THH}	-	$V_{IR} + 0.8\text{V}$	-	V	At $V_{DD} = 5.75\text{V}$
DIGITAL FILTER:						
For 50ms Filter Time	RDF	-	2.2	-	M	-
	CDF	-	0.01	-	μF	-
ONE SHOT						
(1 Second)	ROS	-	2.2	-	M	-
	COS	-	0.22	-	μF	-
WINDOW TIMER						
(2.5 Second)	RWT	-	2.2	-	M	-
	CWT	-	0.68	-	μF	-
DURATION TIMER						
(5 Seconds)	RDT	-	2.2	-	M	-
	CDT	-	0.68	-	μF	-
OUTPUT DRIVE CURRENT ($V_o = 0.5\text{V Max.}$)	I_O	-20	-	-	mA	$V_{DD} = 5\text{V}$

The information included herein is believed to be accurate and reliable. However, LSI Computer Systems, Inc. assumes no responsibilities for inaccuracies, nor for any infringements of patent rights of others which may result from its use.

FIGURE 4. DIFFERENTIAL INTERFACE TO PIR SENSOR PAIR



- | | | | |
|-----------|------------|-------------------|-------------------|
| R1 = 1k | R6 = 36k | C1 = 100 μ F | C6 = 33 μ F |
| R2 = 2.7M | R7 = 36k | C2 = 0.01 μ F | C7 = 0.01 μ F |
| R3 = 36k | R8 = 36k | C3 = 33 μ F | C8 = 0.1 μ F |
| R4 = 2.7M | R9 = 5.6M | C4 = 0.01 μ F | C9 = 0.1 μ F |
| R5 = 36k | R10 = 2.4M | C5 = 33 μ F | |
- PIRs = HEIMANN LHi 954, 958, 978, 874 or 878 (Typical)

All Resistors 1/4 W. All Capacitors 10V.

- NOTES:** 1) A pair of PIR Sensors may be used in applications where a wider optical field of view is needed.
2) External 5V Regulator drives the LS6511 and PIR sensor.

FIGURE 5. LS6511 BLOCK DIAGRAM

