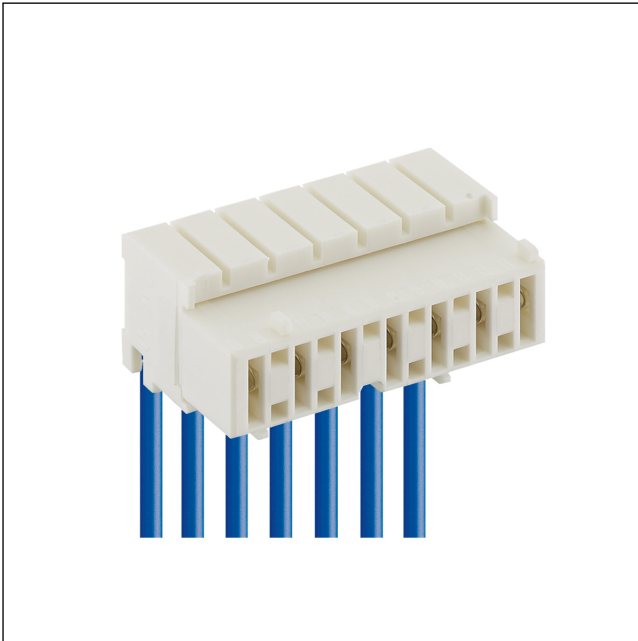


36

3626

RAST 5 connectors, pitch 5.0 mm

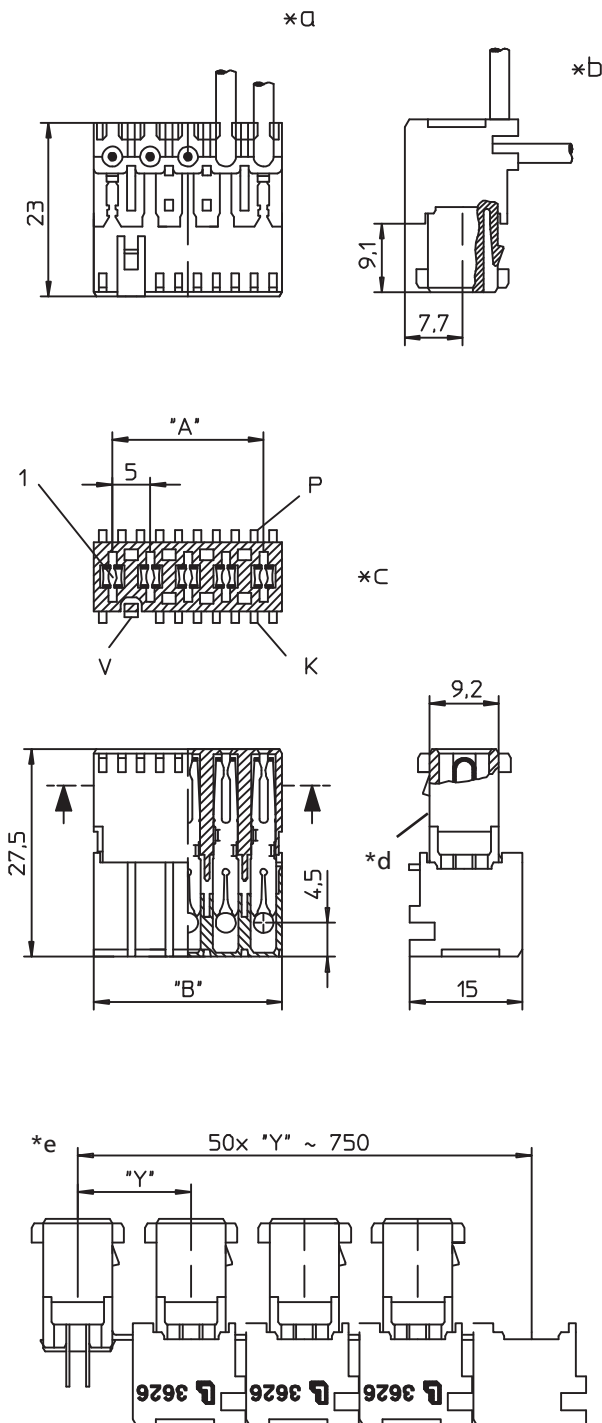


RAST 5 connector for indirect mating, insulation displacement technology (IDT), with interior locking, consecutive placement without loss of pitch

---

Approvals:





#### Environmental conditions

Temperature range	-40 °C/+110 °C – 3626 (S...)
	-40 °C/+130 °C – 3626 M08(S...)
	-40 °C/+130 °C – 3626 M20(S...)

#### Materials


Insulating body	PA, V-2 according to UL94 – 3626 (S...)
	PA, V-2 according to UL94 – 3626 M08(S...)
	PA, V-0 according to UL94 – 3626 M20(S...) <sup>1</sup>
Contact spring	CuSn, tin-plated

<sup>1</sup> M08: component glow wire resistant (GWT 750 °C), testing acc. to IEC 60335-1 (flame < 2 s)  
M20: material halogen-free, GWFI 960 °C (0.75 mm), GWIT 775 °C (0.75 mm)

#### Mechanical data

Insertion force/contact	≤ 4,0 N
Withdrawal force/contact	≥ 1,0 N
Keying proposals	at <a href="http://www.lumberg.com">www.lumberg.com</a> 

#### Connectable conductors for IDT area

Construction	discrete conductor, notched flat cable 5.0 mm
Section min.	0,25 mm <sup>2</sup>
Section max.	0,85 mm <sup>2</sup>
Insulation diameter	≤ 2,5 mm
Approved cables	at <a href="http://www.lumberg.com">www.lumberg.com</a> 

#### Electrical data (at T<sub>amb</sub> 20 °C)

Contact resistance	≤ 5 mΩ
Rated current	10 A (0,75 mm <sup>2</sup> , T <sub>v</sub> 70 °C) – 3626 (M...)
	5 A (0,38 mm <sup>2</sup> , T <sub>v</sub> 70 °C) – 3626 (M...S01)
Rated voltage	250 V AC
Material group	II (CTI ≥ 450) – 3626 (S...)
	IIIa (CTI ≥ 325) – 3626 M08(S...)
Creepage distance	≥ 3,2 mm
Clearance	≥ 3,2 mm
Insulation resistance	> 10 GΩ

- \*a terminated connector
- \*b cable departure 90° or 180°
- \*c K = keying  
P = positioning  
V = lock
- \*d color marking blue at 3626 (M..)S01
- \*e chaining of the component parts (state of delivery)

**Associated products**

Counterparts

<a href="#">☞ 3618</a>	<a href="#">☞ 3618-1</a>	<a href="#">☞ 3618-2</a>
<a href="#">☞ 3618-3</a>	<a href="#">☞ 361899</a>	<a href="#">☞ 361899-1</a>
<a href="#">☞ 361899-2</a>	<a href="#">☞ 361899-3</a>	<a href="#">☞ 3641</a>
<a href="#">☞ 3642</a>	<a href="#">☞ 364299</a>	<a href="#">☞ 3643</a>
<a href="#">☞ 364399</a>	<a href="#">☞ 3644</a>	<a href="#">☞ 364499</a>
<a href="#">☞ 3645</a>	<a href="#">☞ 364599</a>	<a href="#">☞ 3647</a>
<a href="#">☞ 3648</a>	<a href="#">☞ 3649</a>	<a href="#">☞ 3671</a>
<a href="#">☞ 367199</a>	<a href="#">☞ 3672</a>	<a href="#">☞ 367299</a>
<a href="#">☞ 3673</a>	<a href="#">☞ 367399</a>	<a href="#">☞ 3674</a>
<a href="#">☞ 367499</a>	<a href="#">☞ 3676</a>	<a href="#">☞ 3677</a>
<a href="#">☞ 3678</a>	<a href="#">☞ 3679</a>	<a href="#">☞ 3680</a>
<a href="#">☞ 3683</a>		

Harnessing equipment

<a href="#">☞ HA36e</a>	<a href="#">☞ HA36e-CA</a>	<a href="#">☞ HZ-M36</a>
<a href="#">☞ HZ36-K</a>	<a href="#">☞ KHP36</a>	<a href="#">☞ VARICON 7000</a>
<a href="#">☞ VARICON 7000-RD</a>		

36

3626

Designation	Pole Number	PU (Pieces)	MDQ (Pieces)	Dimensions	
				A (mm)	B (mm)
3626 02	2	3600	3600	5	10
3626 03	3	2250	2250	10	15
3626 04	4	1800	1800	15	20
3626 05	5	1350	1350	20	25
3626 06	6	900	1800	25	30
3626 07	7	900	1800	30	35
3626 08	8	900	1800	35	40
3626 09	9	450	1800	40	45
3626 10	10	450	1800	45	50
3626 11	11	450	1800	50	55
3626 12	12	450	1800	55	60

Designation to be completed by further details (e.g. for keying, color or material options).

**Packaging:**

chained, in a cardboard box